

PART NAME

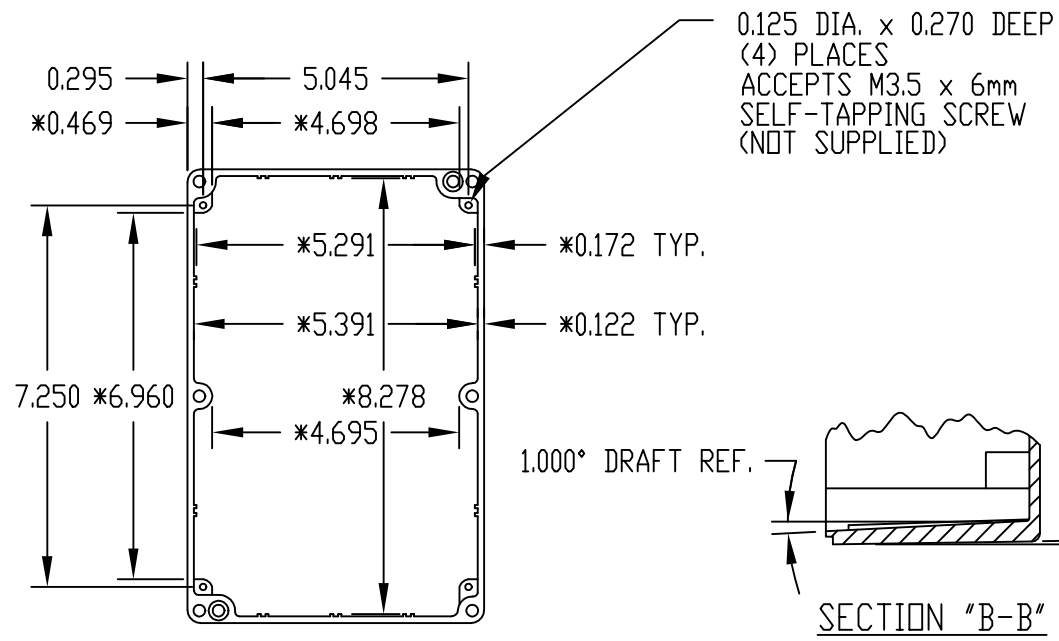
NEMA 4 ENCLOSURE

PART No.

AN-1308, AN-1308-G, AN-2808 & AN-2808-B

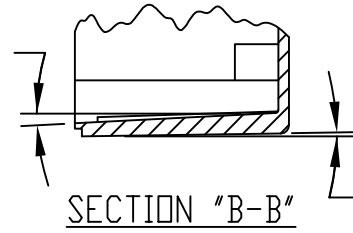
REV. DATE

12-6-07

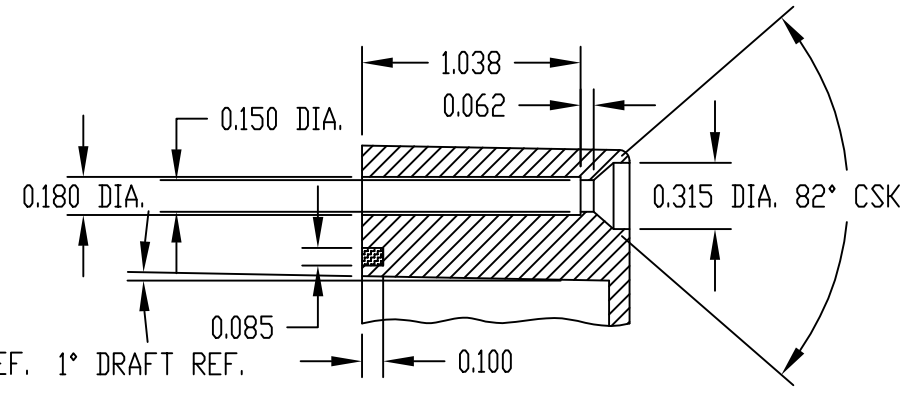


SECTION "C-C"

* DIMENSIONS ARE AT BOTTOM OF ENCLOSURE



SECTION "B-B"



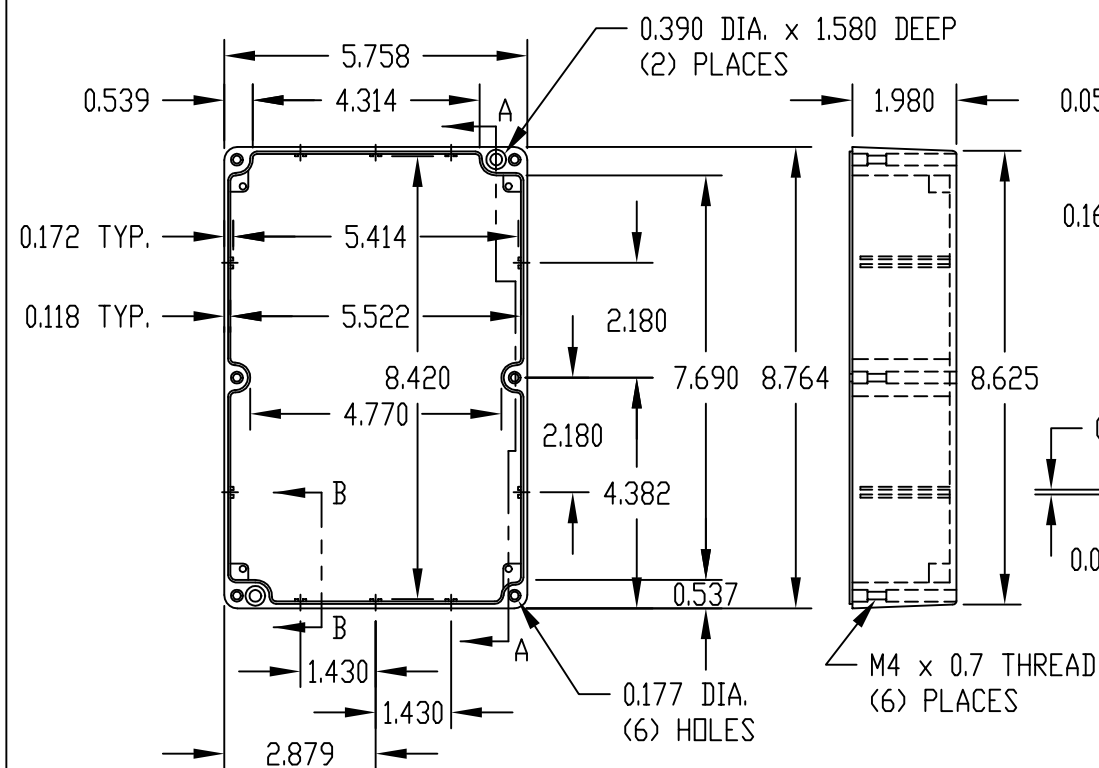
DETAIL "E"

MATERIAL: ALUMINUM ALLOY #ADC-12

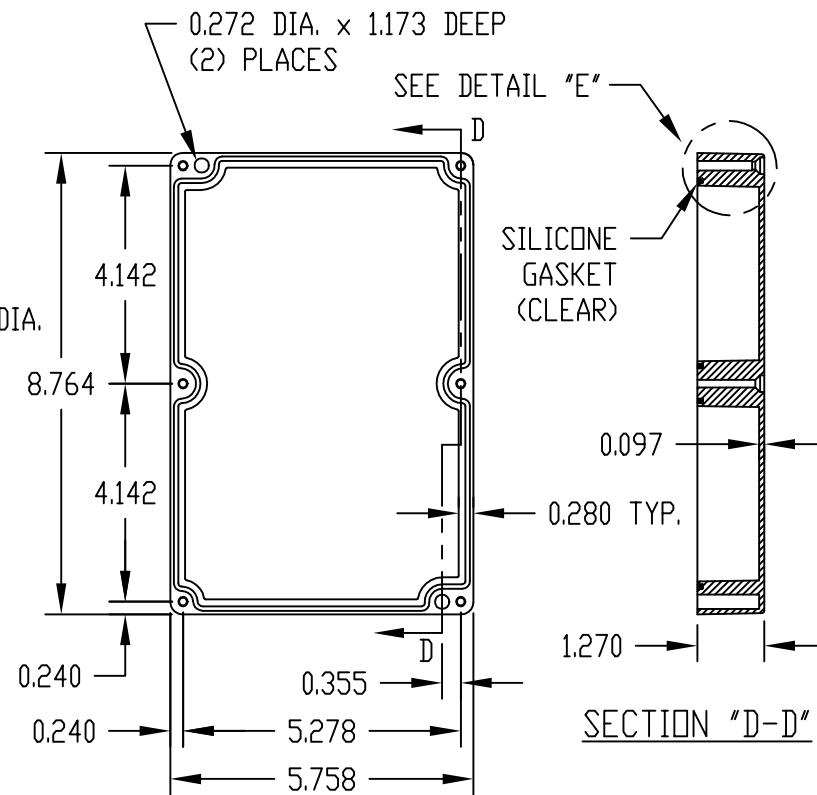
FINISH: NATURAL (NO SUFFIX)
GRAY (SUFFIX -G)
SMOOTH BLACK (SUFFIX -B)

NOTES:

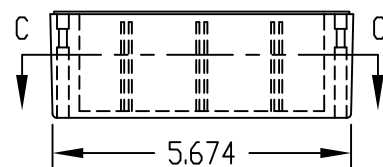
- 1) SIX (6) M4 x 45mm (1.780") LG. SCREWS SUPPLIED FOR ASSEMBLY OF COVER TO BODY.
- 2) ALL HOLE DIAMETERS HAVE ±0.005 TOLERANCE
ALL OTHER DIMENSIONS HAVE ±0.015 TOLERANCE



SECTION "A-A"



SECTION "D-D"



BODY

COVER

PART NO. AN-2808 & AN-2808-B ARE SUPPLIED WITH A WELDED ON MOUNTING BRACKET ONLY.